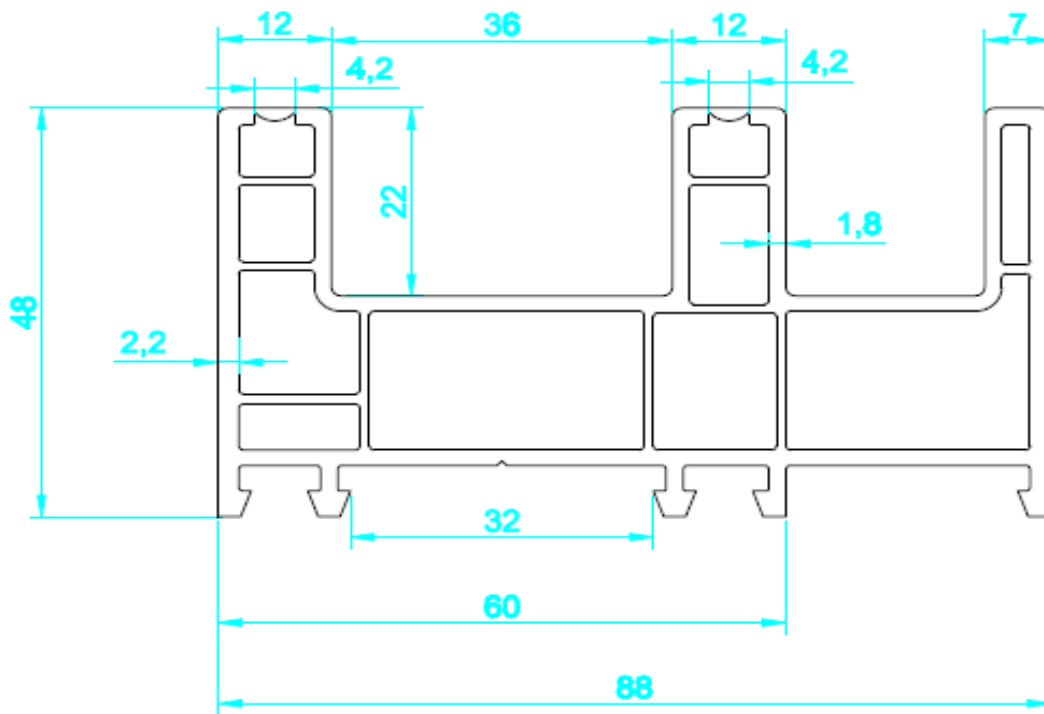


|                                  |      |                     |       |
|----------------------------------|------|---------------------|-------|
| <i>Material</i>                  | UPVC | <i>V Wall (mm)</i>  | 2.2   |
| <i>M Wgt(kg/m)</i>               | 1.4  | <i>UV Wall (mm)</i> | 2.0   |
| <i>Density(g/mm<sup>3</sup>)</i> | 1.5  | <i>In Wall(mm)</i>  | 1.0   |
| <i>Area(mm<sup>2</sup>)</i>      | 933  | <i>UM Radio(mm)</i> | R 0.5 |



|                             |              |              |       |
|-----------------------------|--------------|--------------|-------|
| Material                    | UPVC         | V Wall (mm)  | 2.2   |
| M Wgt(kg/m)                 | <b>1.227</b> | UV Wall (mm) | 1.8   |
| Density(g/mm <sup>3</sup> ) | 1.5          | In Wall(mm)  | 1.2   |
| Area(mm <sup>2</sup> )      |              | UM Radio(mm) | R 0.5 |